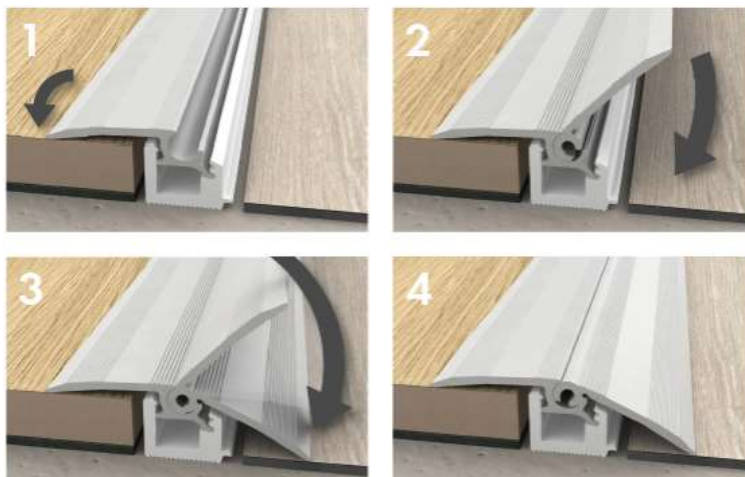


ORIGINAL LAMINATE + VINYL PLANKS &amp; TILES



### Product specifications

**Pergo® combi moulding** PGPRSILV

Silver colour

Dimensions 1 PC: 1860 x 16 x 47 mm (max. dimensions fitted)

Order quantity: per 1 PC in shrink-wrapping

### Product description

The Pergo® combi moulding provides a simple solution for the perfect finish to different types of floors. You can bridge heights of 0 to 12.3 mm with just one profile. You can use it as a T-moulding (expansion) or a reducer strip (adjustment profile).

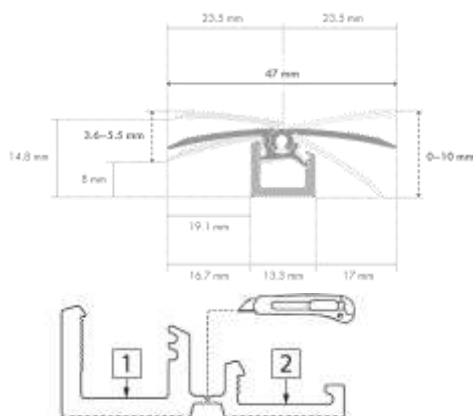
The profile is made of scratch-resistant aluminium in silver colour.

### Preparation

The Pergo® combi moulding is easy to fit.

Use gloves, because some parts of the profile might be sharp.

First, saw the aluminium profile and the plastic rail to the right length.



The **aluminium** profile consists of two parts, which you can separate along the break line. Hold the profile firmly in both hands and start by prying one side up and down. Do this step by step over the entire length of the profile until both parts have completely separated.

The **plastic rail** also consists of two parts. Separate them by cutting the notch with a Stanley knife.

For differences in height of up to 5.5 mm, you use the lower rail; for differences in height between 5.5 and 12.3 mm, use

**COMBI MOULDING**

the higher.

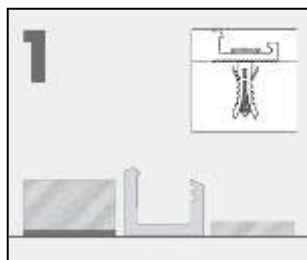
**Installation****1. T-moulding**

You can use the combi moulding as a smooth transition between two floors of equal height:

- e.g. in a doorway.
- or, in a large room (> 12 m laminate or vinyl in one piece) where the floor must be able to expand.



Room humidity and temperature can vary from season to season, so it is vital that the floor is able to expand and contract. The floor must be able to expand and contract on all sides. This profile ensures that the floor can always move freely.

***Installation of the rail***

Fix the rail to the underfloor with screws. Screw them into the pre-drilled holes in the rail. Use 3x30 mm screws.

Fit it directly to the underfloor between the two floors. Leave enough space between the rail and the two floors; observe the recommended expansion joint per type of floor.

You can also glue the rail to the underfloor with Pergo® Multiglue.

**IMPORTANT!:** Press firmly to ensure it is attached flat to the underfloor. Allow sufficient drying time (24 hrs) before you fit the rest of the profile.

**Installation of the aluminium profile**

Now place the bottom part of the aluminium profile in the rail. When you do this, the wing of the moulding sits on the higher side of the rail.

Press the moulding from one side to the other in the rail. Press until it is against the floor.

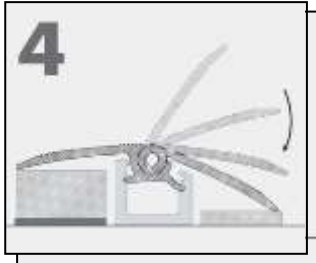
Use the higher rail for differences in height between 5.5 and 12.3 mm, and the lower one for differences of less than 5.5 mm.

Low rail: < 5.5 mm

High rail: 5.5 - 12.3 mm

**COMBI MOULDING**

Make sure everything is free of dust and aluminium particles. Place the top part of the aluminium moulding vertically in the bottom part and rotate it downwards until it touches the floor.

**2. Reducer strip (Adaptor profile)**

You can also use the combi moulding as a reducer strip, to bridge differences in height between two floors cleanly:

- E.g. between a Pergo® laminate and a Pergo® vinyl floor
- between Pergo® laminate or vinyl and another lower floor
- or between floors with differences in height up to 12.3 mm.



Follow the same installation steps as explained above for this.

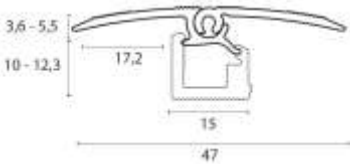
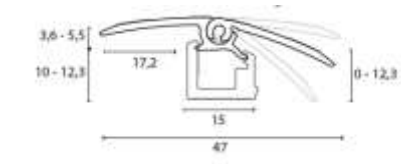
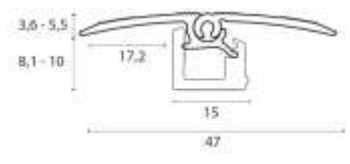
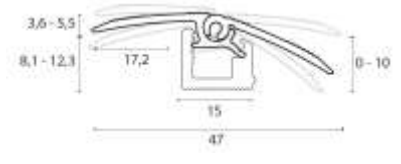
**IMPORTANT!:** In this case, do make sure that the higher vertical side of the rail is on the side of the higher floor.

Use the higher rail for differences in height between 5.5 and 12.3 mm, and the lower one for differences of less than 5.5 mm.

**All the benefits at a glance**

- One profile for different applications
- Can be used for Pergo® laminate *and* Pergo® vinyl, or other floors with differences in height up to 12.3 mm.
- A quality Pergo® finish for your floor in scratch-resistant aluminium.

**COMBI MOULDING**

Difference in height (incl. underfloor)	Height of installed profile	Expansion profile	Adapter profile
10 mm up to 12.3 mm	between 5.5 mm (with a 10 mm height difference) and 3.6 mm (with a 12.3 mm height difference)		
8.1 mm up to 10 mm	between 5.5 mm (with a 8.1 mm height difference) and 3.6 mm (with a 10 mm height difference)		
3.6 mm to 5.8 mm	between 5.5 mm (with a 3.6 mm height difference) and 3.6 mm (with a 5.8 mm height difference)	